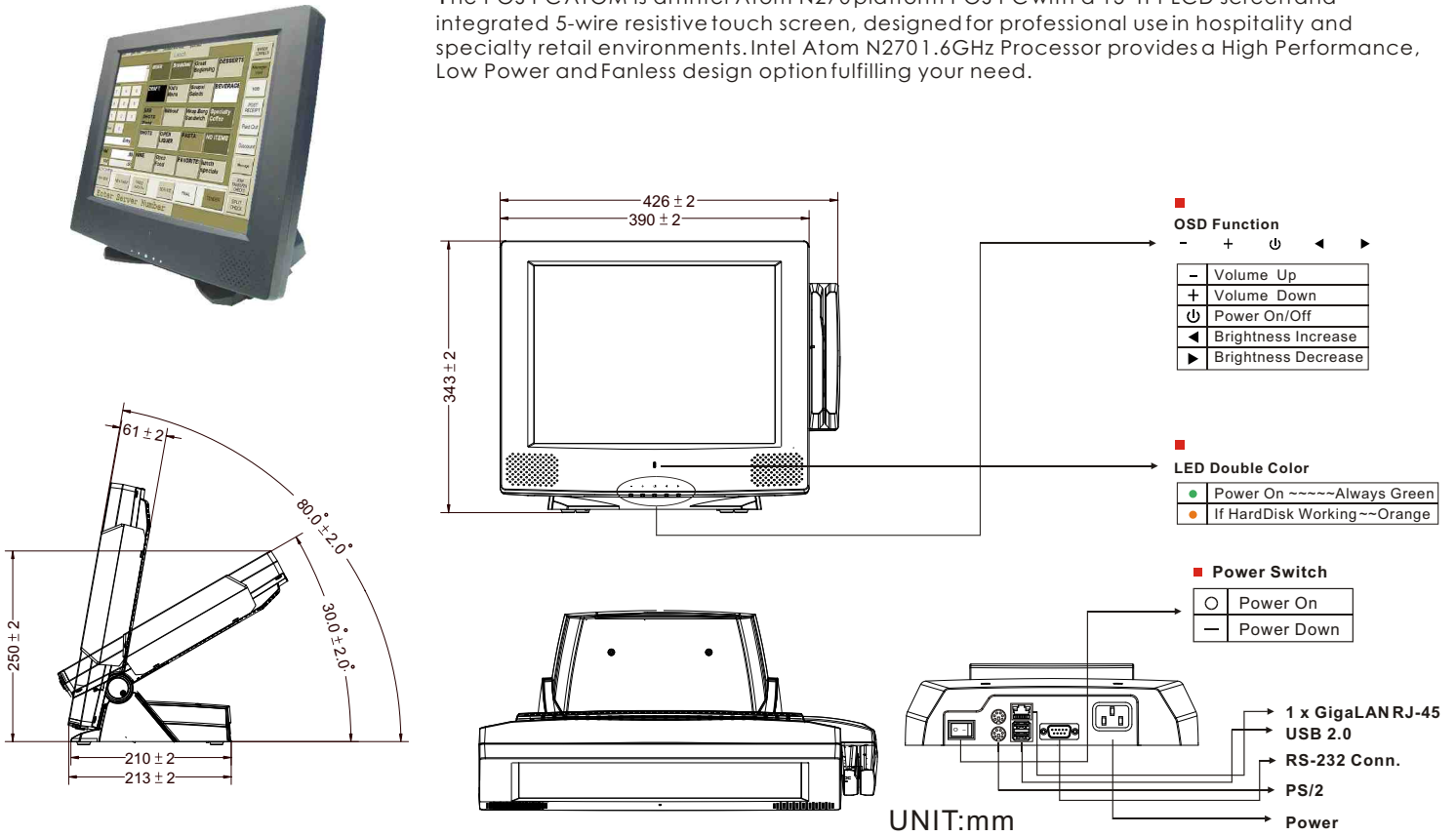


15" POS PC ATOM

MODEL NO: POS2200-IA3

Mechanical Design

The POS PC ATOM is an Intel Atom N270 platform POS PC with a 15" TFT LCD screen and integrated 5-wire resistive touch screen, designed for professional use in hospitality and specialty retail environments. Intel Atom N270 1.6GHz Processor provides a High Performance, Low Power and Fanless design option fulfilling your need.



* Note: this is a simplified drawing and some components are not marked in detail. Please contact our sales representative if you need further product information.

System Specifications

TFT Characteristics :

- LCD : 15" LCD Display with Spill Proof
- Touch Screen : 5 Wire Resistive
- Resolutions : 1024 x 768
- Brightness : 250 cd / m² (typ.)
- Contrast Ratio : 700 : 1 (typ.)

Output Connectors :

- Ethernet LAN : 1 x RJ-45 (GigaLAN)
- Keyboard / Mouse : 2 x PS/2
- Serial Ports : 1 x RS232 9P D-sub (male)
- USB Interface : 2 x USB 2.0 Ports
- Power Interface : AC-IN Power Receptacle

System Specification :

- Processor : Intel Atom N270 1.6GHz Processor
- BIOS : AMI 4Mbit Flash
- System Chipset : Intel 945GSE / ICH7M Chipset
- System Memory : 1 x SODIMM, max. 2GB DDR2 533/400
- Audio Interface : AC" 97 Audio Codec (Speaker 2 x 2W)
- Ethernet : 1 x GigaLAN RJ-45
- Card Reader : Standard Track 1-2-3 (POS-MSR 1-2-3) (Optional)
- Stand : Tilting angle 30 deg.C to 80 deg.C
Countertop Stand
- OS Support : Windows XP, Windows XP Embedded

Power & Environment Specifications :

- Power Input : 110V ~ 240V AC IN
- Power Consumption : 60W (typ.)
- Operating Temperature : 0 deg.C to 45 deg.C
- Operating Humidity : 30% ~ 95% (non-condensing)
- EMI / Safety : FCC, CE

Order Options :

- CPU : Intel Atom N270 1.6 Ghz *
- RAM : 1 GB DDR2*
- Storage : 2.5" 80GB HDD *
- OS : Windows XPE (optional)
- * Default

Rev.	Reasons	Revised Date
1.0	First release	Apr-03-09

