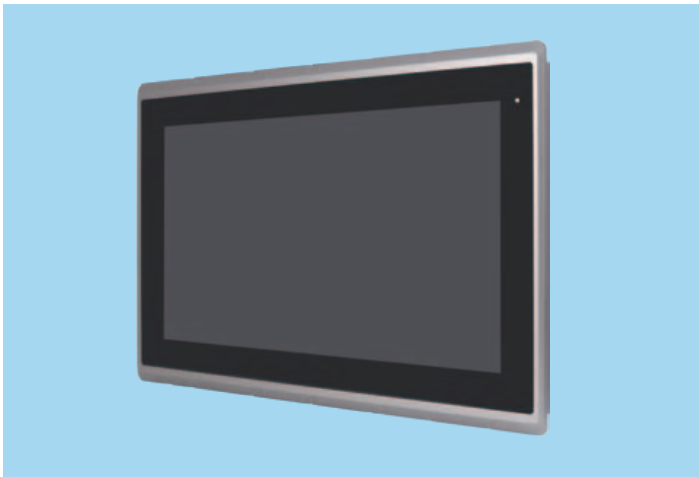


ITM-TMNA0U-18AC-000C

18.5", 1366 x 768, IP65 Monitor with Capacitive Touchscreen, VGA and DVI Ports



Features and Benefit

- All steel construction designed for harsh and industrial environments
- Robust design with aluminum NEMA 4/ IP65 front panel
- Meets NEMA 4/4x/12 and IP65 standards
- Accuracy in high-use applications
- Stable, drift-free operation
- Supports Windows Embedded and Linux operating systems
- Supports Panel, Wall, or VESA arm mounting

Introduction

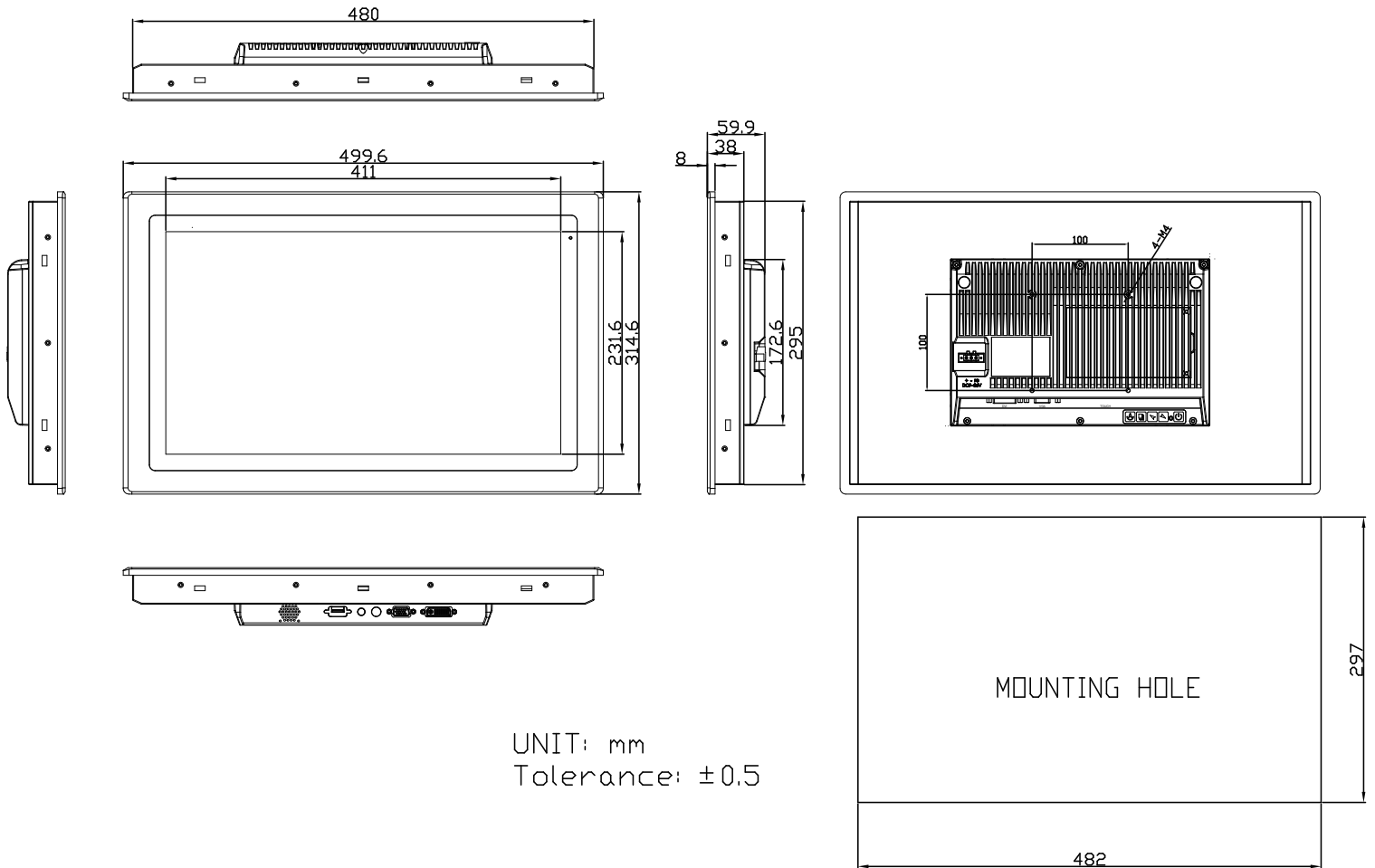
The AIS 18.5" IP65 NEMA 4 monitor is fully-integrated, off-the-shelf unit (COTS) that combines resistive touch technology in an industrial-grade LCD panel, with a sleek and flat front surface industrial design; providing reliability, durability, and longer life. Impervious to environmental conditions i.e. liquid spills, splashes and wash-downs; these screens are the most contamination-resistant units in the market. These are designed for process control, food processing equipment, machine control, man-machine interface, automation, medical equipment, and in-vehicle applications.

Specification

Display	
Display	18.5" diagonal, Active matrix TFT LCD
Aspect Ratio	16:9
Native (Optimal) Resolution	1366 x 768
General Supported Resolution	1366 x 768 (60/66/70/72/75 Hz)
Colors	16.7M
Brightness (Typical)	LCD Panel: 300 nits Resistive Touch: 270 nits
Contrast Ratio	1000:1
Viewing Angle	Horizontal: 170° Total Vertical: 160° Total
On-Screen Display (OSD)	Controls (back): menu, up, down, select, power Settings: contrast, brightness, H/V position, RGB (color temp), clock, phase, recall
Input Video Signal Connector	1 x VGA, 1 x DVI

Touch Technology	Capacitive (USB Touch Interface)
General	
Power Input	9 - 36V DC
Power Consumption (Max)	4.2 W
MTBF	50,000 Hours Demonstrated
Mounting Options	Panel Mount / VESA Mount 100 x 100
Dimensions (W x H x D)	412 x 277.5 x 60.4 mm
Environmental Conditions	
Temperature	Operating: 0°C to 50°C (32°F to 122°F) Storage: -20°C to 60°C (-4°F to 140°F)
Humidity (Non-condensing)	Operating: 20%-80% Storage: 10%-90%
Approvals	
Approvals	CE, FCC (DOC)

Unit: mm



UNIT: mm
Tolerance: ± 0.5