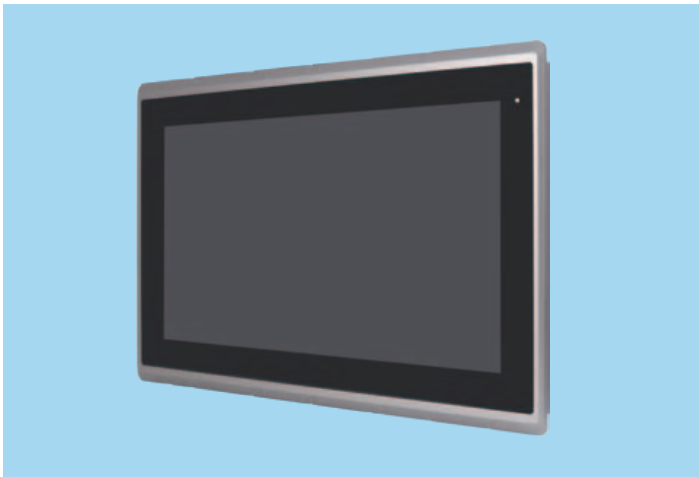


ITM-TMNA0U-16AC-000C

15.6", 1366 x 768, IP65 Monitor with Capacitive Touchscreen, VGA and DVI Ports



Features and Benefit

- All steel construction designed for harsh and industrial environments
- Robust design with aluminum NEMA 4/ IP65 front panel
- Meets NEMA 4/4x/12 and IP65 standards
- Accuracy in high-use applications
- Stable, drift-free operation
- Supports Windows Embedded and Linux operating systems
- Supports Panel, Wall, or VESA arm mounting

Introduction

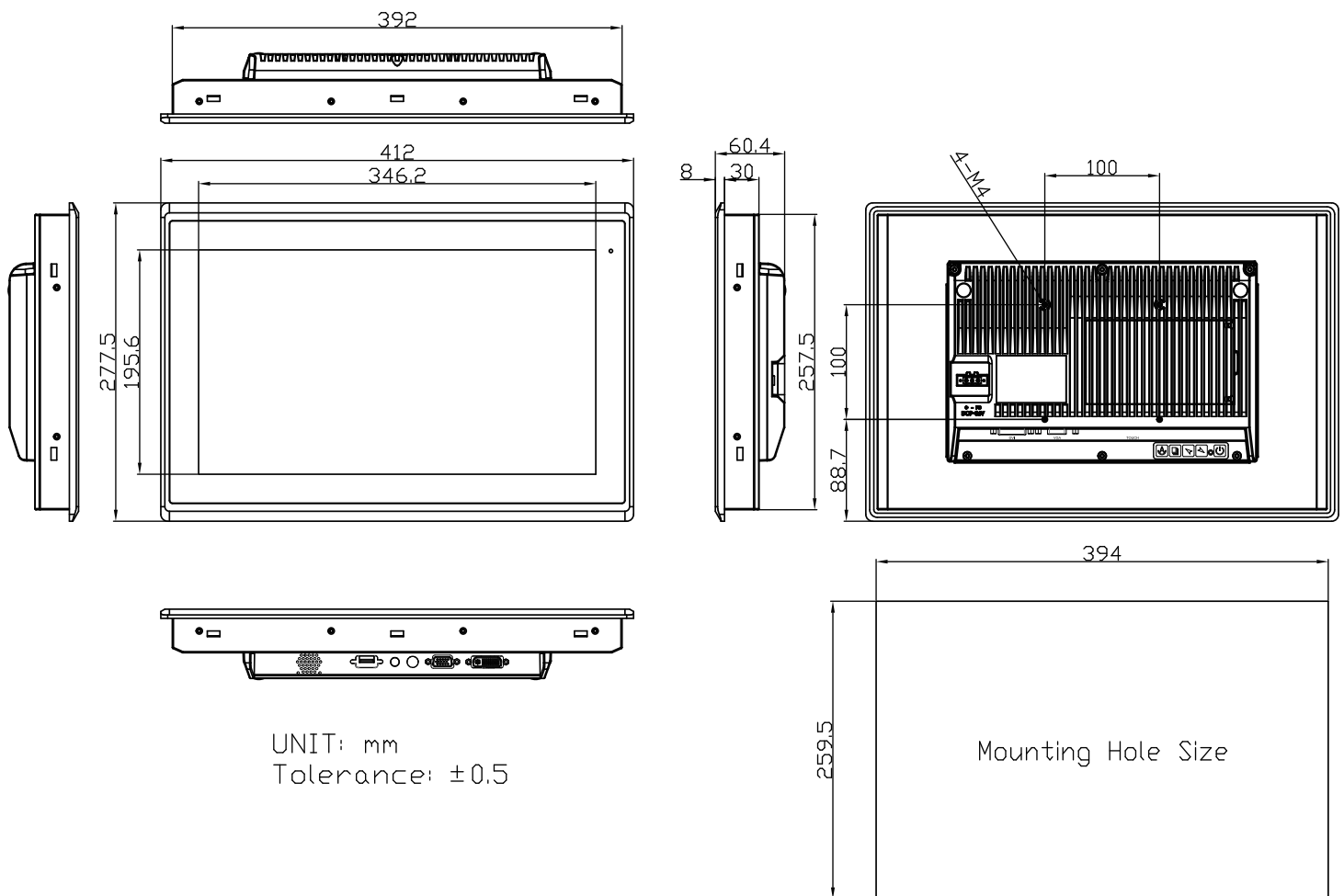
The AIS 15.6" IP65 NEMA 4 monitor is fully-integrated, off-the-shelf unit (COTS) that combines resistive touch technology in an industrial-grade LCD panel, with a sleek and flat front surface industrial design; providing reliability, durability, and longer life. Impervious to environmental conditions i.e. liquid spills, splashes and wash-downs; these screens are the most contamination-resistant units in the market. These are designed for process control, food processing equipment, machine control, man-machine interface, automation, medical equipment, and in-vehicle applications.

Specification

| Display | |
|------------------------------|--|
| Display | 15.6" diagonal, Active matrix TFT LCD |
| Aspect Ratio | 16:9 |
| Native (Optimal) Resolution | 1366 x 768 |
| General Supported Resolution | 1366 x 768 (60/66/70/72/75 Hz) |
| Colors | 16.7M |
| Brightness (Typical) | LCD Panel: 300 nits Resistive Touch: 270 nits |
| Contrast Ratio | 500:1 |
| Viewing Angle | Horizontal: 160° Total Vertical: 160° Total |
| On-Screen Display (OSD) | Controls (back): menu, up, down, select, power Settings: contrast, brightness, H/V position, RGB (color temp), clock, phase, recall |
| Input Video Signal Connector | 1 x VGA, 1 x DVI |

| Touch Technology | Capacitive (USB Touch Interface) |
|---------------------------|--|
| General | |
| Power Input | 9 - 36V DC |
| Power Consumption (Max) | 4.2 W |
| MTBF | 50,000 Hours Demonstrated |
| Mounting Options | Panel Mount / VESA Mount 100 x 100 |
| Dimensions (W x H x D) | 412 x 277.5 x 60.4 mm |
| Environmental Conditions | |
| Temperature | Operating: 0°C to 50°C (32°F to 122°F) Storage: -20°C to 60°C (-4°F to 140°F) |
| Humidity (Non-condensing) | Operating: 20%-80% Storage: 10%-90% |
| Approvals | |
| Approvals | CE, FCC (DOC) |

Unit: mm



UNIT: mm
Tolerance: ±0.5