

HAR15L600-A1FTE-5RT

15", 1024 x 768 XGA, Hazardous Areas Classified Locations Industrial Monitor with Completely Sealed IP65 Stainless Steel, Resistive Touch



Introduction

AIS Oil & Gas industrial LCD monitors for Hazardous Areas are constructed with fully sealed stainless steel chassis and IP65/NEMA 4 Ingress protection rated. These monitors also support a wide operating temperature from -20 to 50°C (-4 to 122°F) and high-bright industrial-grade LCD flat touch screen panels (with option for sunlight readable LCD display). AIS offers UL Class I Division 2 (C1D2), Groups A, B, C, and D, ATEX Zone 2 and IEC-Ex Zone 2 certification on its Hazardous Locations Industrial LCD Displays which are primarily designed for the volatile and harsh environments of Oil, Gas, and Petrochemical manufacturing industries; oilfield equipment & services, drilling systems automation, drilling control rooms, drill monitors, drilling management systems remotely monitoring and controlling panels applications to provide an user-friendly system control, operation and monitoring.

Specifications

Display	
Display	15.0" diagonal, Active matrix TFT LCD
Aspect Ratio	4:3
Active/Area	304.1 (H) x 228.1 (V) mm
Native (Optimal) Resolution	1024 x 768
General Supported Resolution	VGA 640 x 480 (60/66/70/72/75 Hz) SVGA 800 x 600 (60/70/72/75 Hz) XGA 1024 x 768 (60/70/75 Hz)
Colors	16.2M (6 bits + FRC)
Brightness (Typical)	LCD Panel: 400 nits (Optional: 1000 nits sunlight readable) Resistive Touch: 320 nits
Contrast Ratio	700:1
Viewing Angle	Horizontal: 160° Total Vertical: 140° Total
On-Screen Display (OSD)	Controls (back): menu, up, down, select, power Settings: contrast, brightness, H/V position, RGB (color temp), clock, phase, recall
Input Video Format	Analog VGA

Features and Benefits

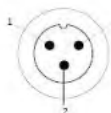
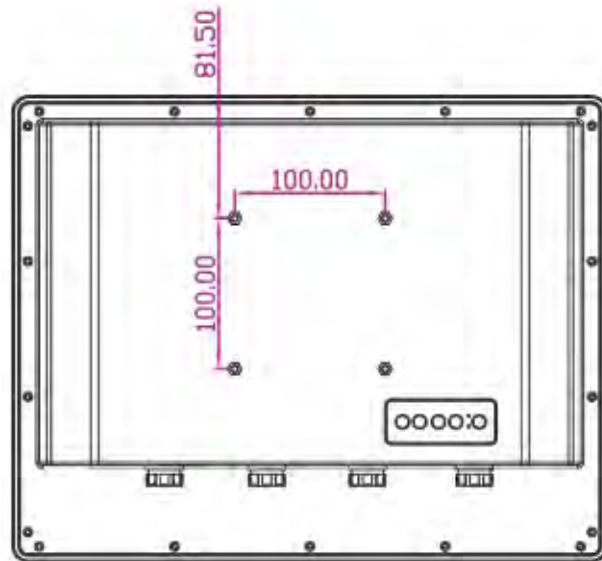
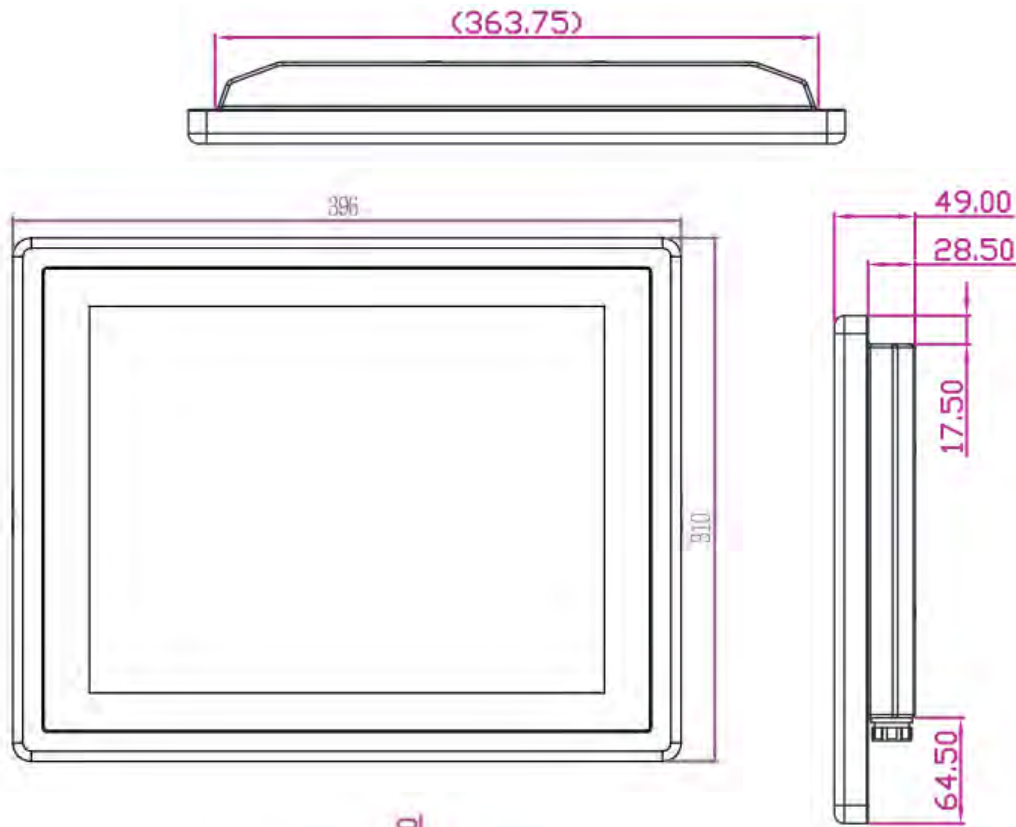
- ISA 12.12.01-2012, CSA C22.2 No.213-M1987, CSA 22.2 No. 60950-1-07 and FCC certification
- UL Class 1 Division 2, Groups A, B, C, D certified
- ATEX 94/9/EC, and CE certification
- Ex II 3 G Ex nA ic IIA T4 certified
- Hazardous areas industrial monitor improved environment for the operators
- The industrial touch screen monitor display is particularly suitable for operator control and monitoring, measuring and testing as well as data collection, communication and other applications close to the machine in hazardous zones 2

Input Video Signal Connector	Mini D-Sub 15-Pin VGA Type
Touch Technology	Resistive (RS-232: Touch Interface)
General	
Input Voltage	DC: 12.0 V±10% 9V-36V DC (optional)
MTBF	50,000 Hours Demonstrated
Mounting Options	100 x 100 mm VESA mount , Panel Mount (optional)
Environmental Conditions	
Temperature	Operating: -20°C to 50°C (-4°F to 122°F)
Humidity (Non-condensing)	30 to 90% RH
Compliance	
Compliance	CE, FCC, ISA 12.12.01-2012, CSA C22.2 NO.213-M1987, CSA 22.2 NO. 60950-1-07, ATEX 94/9/EC, UL 60950-1

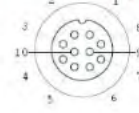
Order Information

HAR15L600-A1FTE-5RT: 15", 1024 x 768 XGA, Hazardous Areas Classified Locations Industrial Monitor with Completely Sealed IP65 Stainless Steel, Resistive Touch

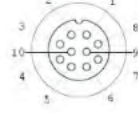
Unit: mm



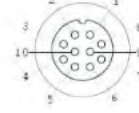
3 pin DC Power



10 pin VGA connector (IP65)



Touch



Optional Remote Control