



User Guide
PCT Multi Touch Monitor Display
OF15T100-A1-PCT

The information contained in this document is subject to change without notice. This document contains proprietary information that is protected by copyright © 2013 American Industrial Systems. All rights are reserved. No part of this document may be reproduced, translated to another language or stored in a retrieval system, or transmitted by any means, electronic, mechanical, photocopying, recording, or otherwise, without prior written permission. Windows is a registered trademark of Microsoft, Inc. Other brand or product names are trademarks of their respective holders.

American Industrial Systems, Inc.

<http://www.aispro.com>

The test results show that this device meets the FCC rules. Those limits are set to protect residential areas from the devices with harmful emission. This device will produce, use and radiate radio frequency energy. In addition, failure to follow the user's manual to install or use this device might produce harmful interference with radio communication. Notwithstanding the foregoing, it does not guarantee that this type of harmful interference does not occur in some special installations. The interference caused by this device to the reception of radio or television signals may be verified by turning it on and off. Any changes or modifications to this TFT LCD would void the user's authority to operate this device.

Important Recycle Instruction:


 Lamp(s) inside this product contains mercury. This product may contain other electronic waste that can be hazardous if not disposed of properly. Recycle or dispose in accordance with local, state, or federal Laws. For more information, contact the Electronic Industries Alliance at WWW.EIAE.ORG. For lamp specific disposal information check WWW.LAMPRECYCLE.ORG

Table of Contents

Introduction	5
About OF15T100-A1-PCT	5
Touch Screen for OF15T100-A1-PCT.....	6
Package Overview	7
Installation	8
Product Overview	8
Front View	8
Bottom View	8
Attaching the Side Brackets	9
Side mount for Your Monitor.....	10
Cut-Out Dimensions.....	11
Connecting the Display	12
User Controls	13
Back Panel Controls	13
How to Use the OSD Menu	14
On-Screen Display Menu.....	15
Appendix	16
Troubleshooting	16
Warning Signal	17
Product Dimension	18
Compatibility Modes.....	19
Touch Screen Driver Installation.....	20

Usage Notice

Warning!

To prevent the risk of fire or shock hazards, do not expose this product to rain or moisture.

Do not open or disassemble the product as this may cause electrical shock.

Precautions

Follow all warnings, precautions and maintenance as recommended in this user's manual to maximize the life of your unit.

Do:

- Turn off the product before cleaning.
- Touch screen surface may be cleaned using a soft clean cloth moistened with mild window glass commercial cleaners or 50/50 mixture of water and isopropyl alcohol.
- Use a soft cloth moistened with mild detergent to clean the display housing.
- Disconnect the power plug from AC outlet if the product is not going to be used for an extended period of time.

Don't:

- Do not touch the LCD Display screen surface with sharp or hard objects.
- Do not use abrasive cleaners, waxes or solvents for your cleaning.
- Do not operate the product under the following conditions:
 - Extremely hot, cold or humid environment.
 - Areas susceptible to excessive dust and dirt.
 - Near any appliance generating a strong magnetic field.
 - In direct sunlight.

Introduction

About OF15T100-A1-PCT

OF = Open frame

R = Regular width ratio of 4:3

15 = Diagonal viewing area in inches

PCT = Projected Capacitive Touch

The monitor has a flat panel screen with an active matrix, thin-film transistor (TFT) liquid crystal display (LCD).

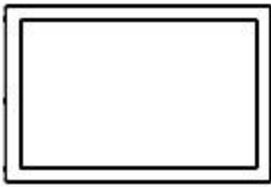
Features include:

- Direct Analog signal input
- Active matrix TFT LCD technology
- 1024 x 768 XGA resolution
- 15" viewable display area
- 31.47 ~ 60.02 KHz horizontal scan
- 56 ~ 75 Hz high refresh rate
- 0.297mm x 0.297mm pixel pitch
- Auto adjustment function
- Multilingual OSD user control
- Bracket mount
- 75 mm VESA mount
- Removable base for flexible mounting solutions.
- Projected Capacitive touch screen with USB controller.

Touch Screen for OF15T100-A1-PCT

- Projected capacitive touch screen for finger input only
- Surface: Glare treatment
- Interface: USB controller
- Transmittance: 90±5%
- HID: Windows® 7
- Driver: VISTA, XP, 2000, CE, XP Embedded, Linux, Apple® Mac OS

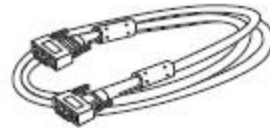
Package Overview



LCD Display



Power Cord



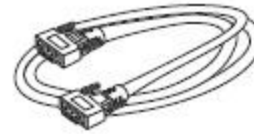
VGA Signal Cable



USB Cable (A to B)



DC Power Supply



RS-232 Cable
(for combo model only)



Touch Driver CD



Quick Start Guide



Remote Key
(sold separately)



Side Brackets

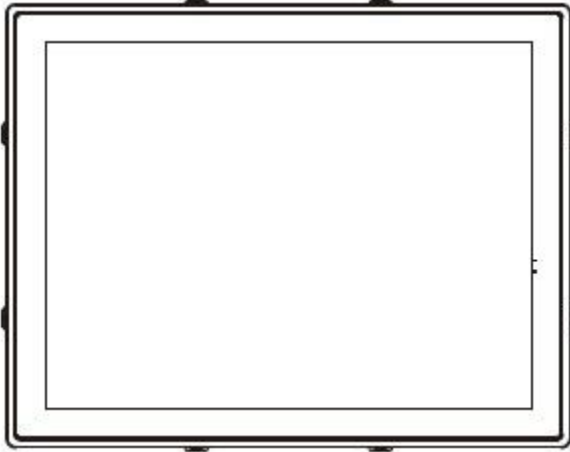


Bracket Screws

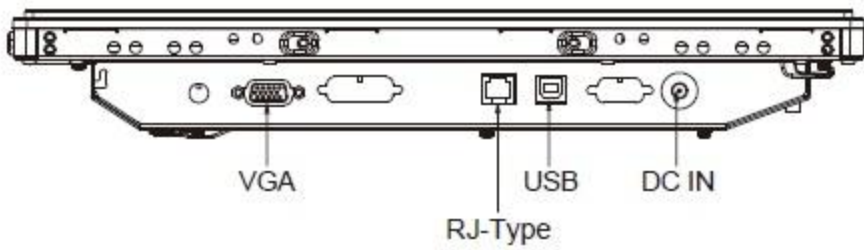
Installation

Product Overview

Front View



Bottom View

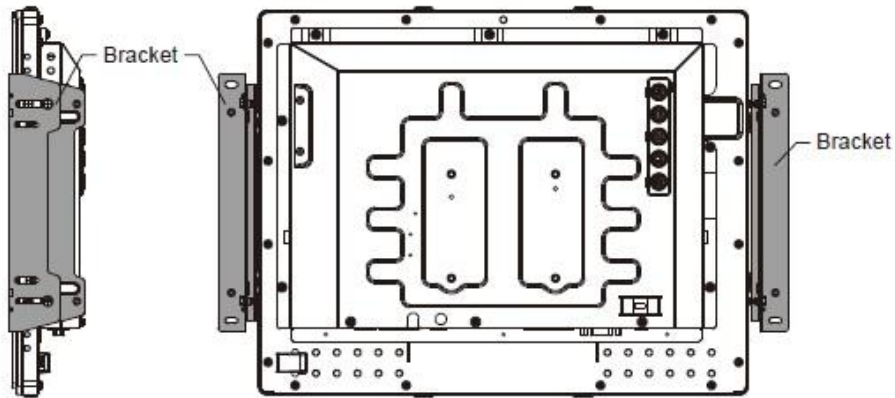


Attaching the Side Brackets

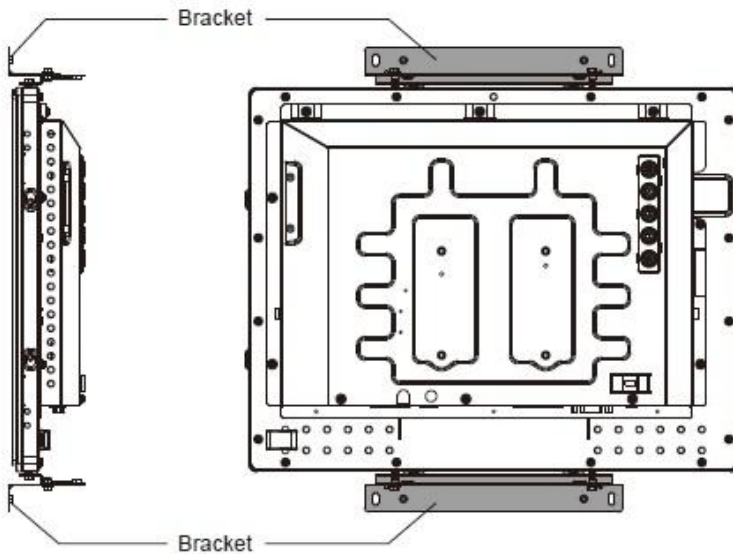
Depending on your mounting scheme, alternately, you may use the side brackets to mount your displays onto your wall or device.

Find a suitable location for attaching side brackets.

- A. The left and right sides
- B. The Top and bottom sides



OR



Note:

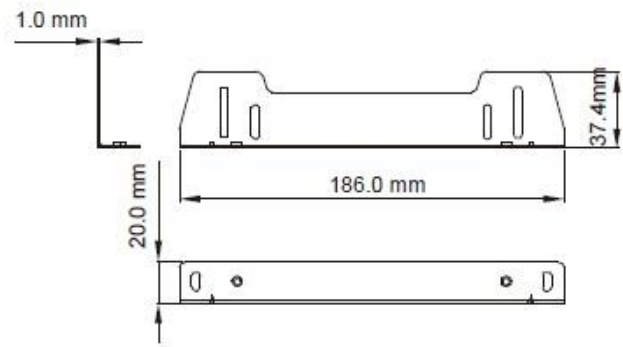
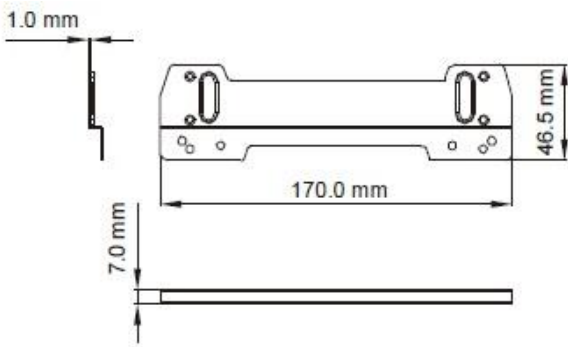
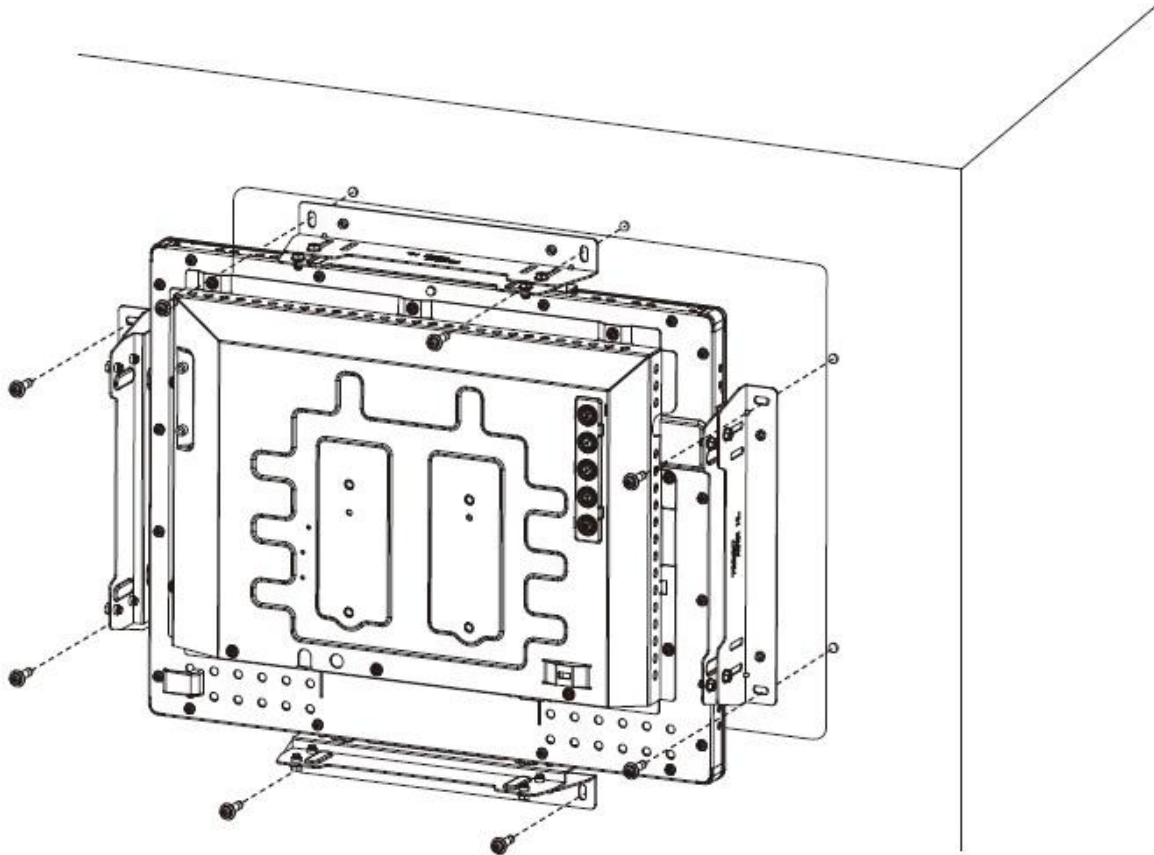
You will need a screwdriver to attach the side brackets.

Your kiosk touch monitor included 4 side brackets (R/C/W x2, P-Cap x4) and 8 screws, M4x6 (R/C/W x4, P-Cap x8).

This equipment is intended to be mounted in accordance with the proper hardware and the installation instructions supplied with the product. Use of mounting brackets or screws other than those specified in the installation instructions may cause a hazard.

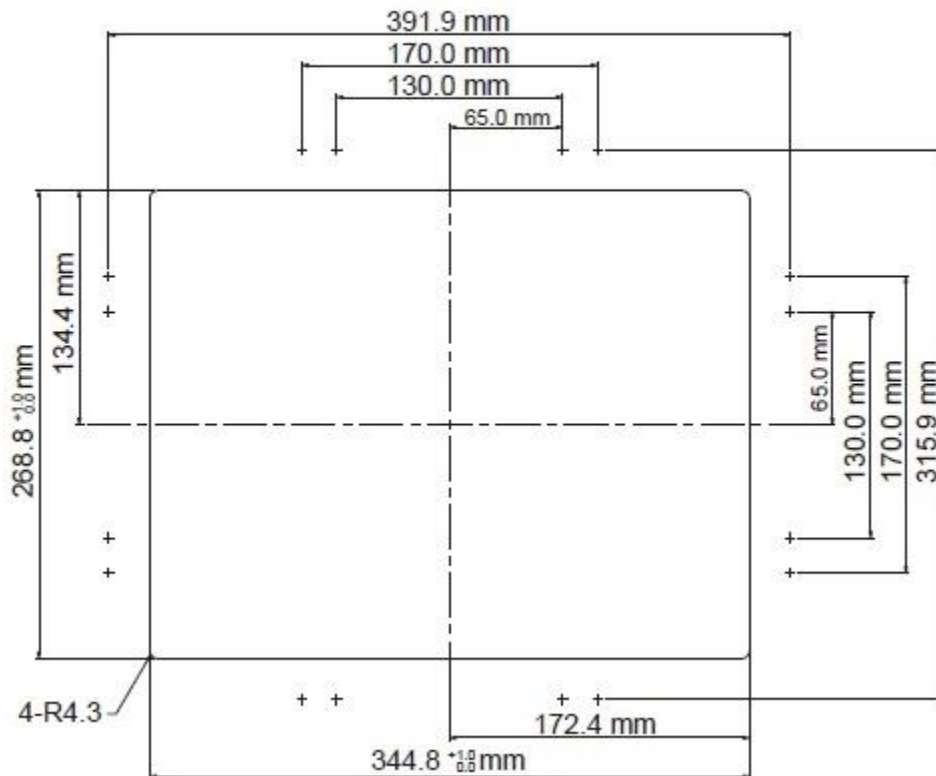
Side mount for Your Monitor

This monitor can be mounted to the wooden or concrete wall with 4 screws and a pair brackets on the opposites.



Cut-Out Dimensions

RECOMMENDED CUSTOMER PANEL CUT-OUT



IMPORTANT!

The wall mounting instructions are for the qualified wall mounting person only!

Warning!

Please select the proper screws!

The distance between the back cover surface and the bottom of the screw hole is 8 mm.

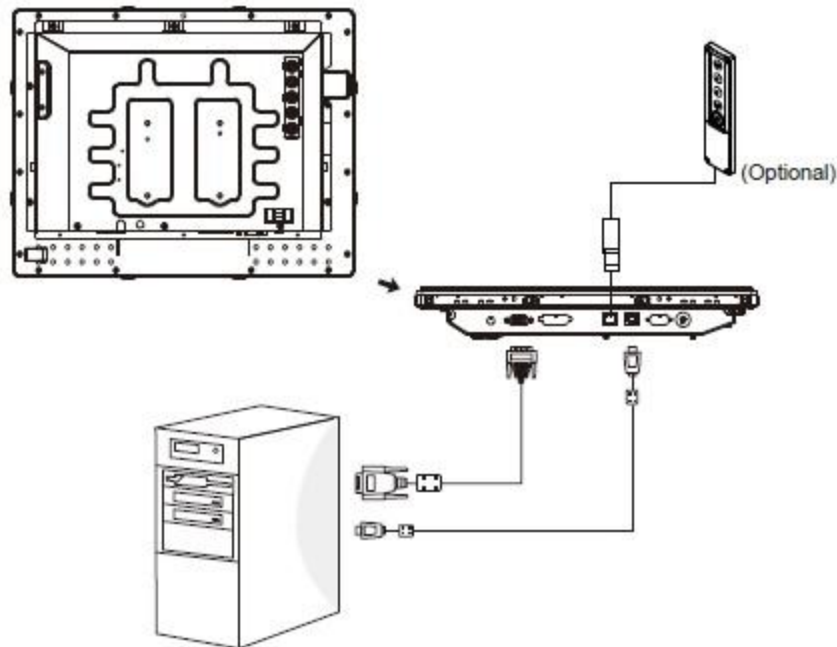
Please use four M4 screws diameter with proper length to mount your monitor.

Please note: the mounting stand must be able to support at least 11 lbs (5Kg).

Connecting the Display

To setup this display, please refer to the following figure and procedures.

1. Be sure all equipment is turned off.
2. Connect the DC adapter to the power connector on the monitor and the other end into an electrical outlet.
3. Connect the D-SUB cable from the display's VGA input connector to the D-SUB connector of your host computer and tighten the screws.
4. Connect the RS-232 or USB cable from the RS-232 or USB port of your display to the RS-232 port or USB port of your computer.
5. Configure the touch screen. Refer to the "Touch Screen Driver Installation" section on page 19.
6. Once the touch screen is configured, the monitor is ready for use.
7. Connect the remote control cable to RJ-Type port



⚠ Notice!

To ensure the LCD display works well with your computer, please configure the display mode of your graphics card to make it less than or equal to 1024 x 768 resolution and make sure the timing of the display mode is compatible with the LCD display.

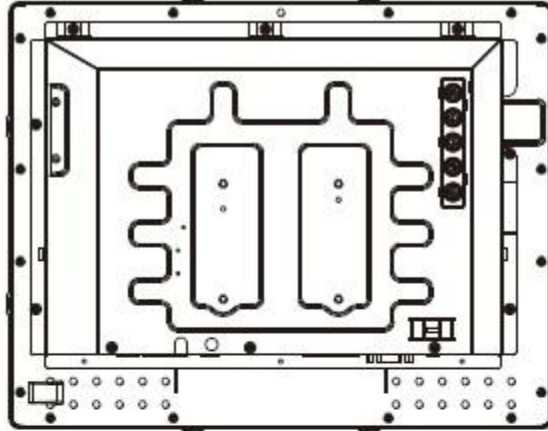
We have listed the compatible "Video Modes" of your LCD display in the appendix (on page 19) for your reference.

Don't connect telephone or internet cable to RJ-Type port.

Adapter rating: 12Vdc 2.5A min., marked with LPS.

User Controls

Back Panel Controls



Icon	Key Name
	Menu
	Up
	Down
	Enter
	Power

OSD Key	Menu off status	Menu on status
	Menu appear	Menu disappear/return to main item
	Brightness	Main item select up/Adjust up
	Contrast	Main item select down/Adjust down
	Enter/Select sub-item function	
	Power On/Off	

How to Use the OSD Menus

1. Press the "MENU" button to pop up the "on-screen menu" and press "Up" or "Down" button to select among the five functions in the main menus.
2. Choose the adjustment items by pressing the "Enter" button.
3. Adjust the value of the adjustment items by pressing the "Up" or "Down" button.
4. With the OSD menu on screen, press "Menu" button to return main menu or exit OSD.
5. The OSD menu will automatically close, if you have left it idle for a pre-set time.
6. To Lock the OSD / Power menu buttons, please follow the instructions below.
(Please note: the monitor has to be turned ON with a valid signal pre-set)
 - a. Press "Menu" key, the OSD menu will pop up upon display.
 - b. Press and hold the "Menu" key again with the OSD menu on the screen, the OSD menu will disappear. Then press the "Power" key 1 time while the menu key is still being pressed. The "Lock/Unlock" menu will appear for 3 seconds.
 - c. Use the "Enter" key to select OSD or Power setting then set at "Lock" by pushing the "UP" or "Down" button.
 - d. When the "UP" or "Down" button is released, the previous setting will be saved and exit the "Lock/Unlock" menu automatically.
8. To Unlock the OSD / Power menu buttons, please follow the instructions below.
(Please note: the monitor has to be turned ON with a valid signal pre-set)
 - a. Press and hold the "Menu" key then press the "Power" key simultaneously, the "Lock/Unlock" menu will appear for 3 seconds.
 - b. Use the "Enter" key to select OSD or Power setting then set at "Unlock" by pushing the "UP" or "Down" button.
 - c. When the "UP" or "Down" button is released, the previous setting will be saved and exit the "Lock/Unlock" menu automatically.

Please note:

- a. When the OSD Lock function is selected, this indicates that all the buttons except "power" button are now disabled.
- b. When the Power Lock function is selected, this indicates that the power key is disabled; user can not to turn off the monitor by "Power" key.

On-Screen Display Menus

Main OSD Menu:

ITEM	CONTENT
Contrast	The monitor luminance level control.
Brightness	The monitor backlight level control.
Auto Adjust	Fine-tune the image to full screen automatically.
Left/Right	Moving screen image horizontal position to left or right.
Up/Down	Moving screen image vertical position to up or down.
Horizontal size	The screen image horizontal dot clock adjustment.
Fine	The screen image pixel phase adjustment.
OSD Left/Right	Moving OSD menu horizontal position to left or right.
OSD Up/Down	Moving OSD menu vertical position to up or down.
OSD Time out	OSD auto-disappear time selection.
OSD Language	OSD menu language selection. (English, French, Japanese, Deutsch, Spanish, Italian, Traditional Chinese and Simplified Chinese)
Factory Reset	Factory default value restored.
RGB	Color temperature selection. (9300K, 6500K, 5500K, 7500K, User)

Appendix

Troubleshooting

If you are experiencing trouble with the LCD display, refer to the following. If the problem persists, please contact your local dealer or our service center.

Problem: No image appears on screen

- Check that all the I/O and power connectors are correctly and well-connected as described in the “Installation” section.
- Make sure the pins of the connectors are not crooked or broken.

Problem: Partial Image or incorrectly displayed image

- Check to see if the resolution of your computer is higher than that of the LCD display.
- Reconfigure the resolution of your computer to make it less than or equal to 1024 x 768.

Problem: Image has vertical flickering line bars

- Use “Fine” to make an adjustment.
- Check and reconfigure the display mode of the vertical refresh rate of your graphics card to make it compatible with the LCD display.

Problem: Image is unstable and flickering

- Use “Fine” to make an adjustment.

Problem: Image is scrolling

- Check and make sure the VGA signal cable (or adapter) is securely connected.
- Check and reconfigure the display mode of the vertical refresh rate of your graphics card to make it compatible with the LCD display.

Problem: Vague image (characters and graphics)

- Use “Fine” to make an adjustment. If this problem persists, use “Horizontal size” to make an adjustment.

Warning Signal

If you see warning messages on your LCD screen, this means that the LCD display cannot receive a clean signal from the computer graphics card.

Below are the three kinds of Warning Signal. Please check the cable connections or contact your local dealer or our service center for more information.

No Signal

This message means that the LCD display has been powered on but it cannot receive any signal from the computer graphics card. Check all the power switches, power cables, and VGA/DVI signal cable.

Going to Sleep

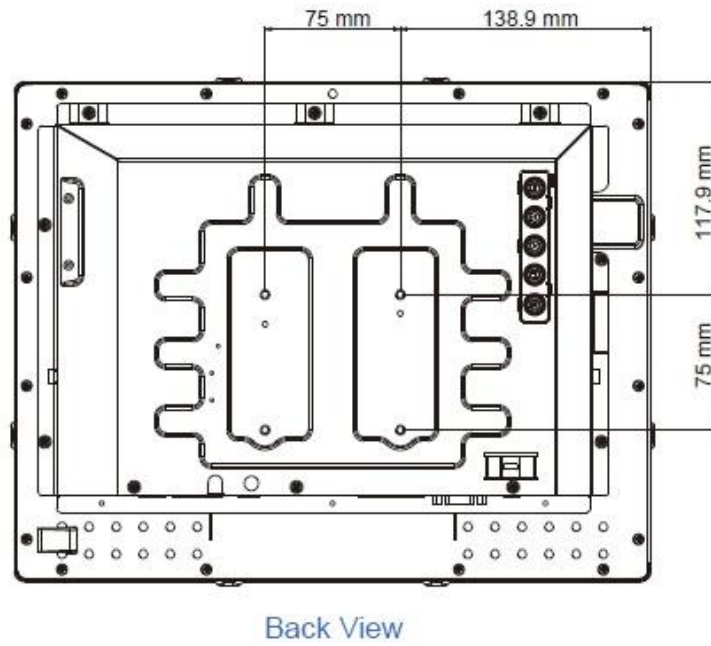
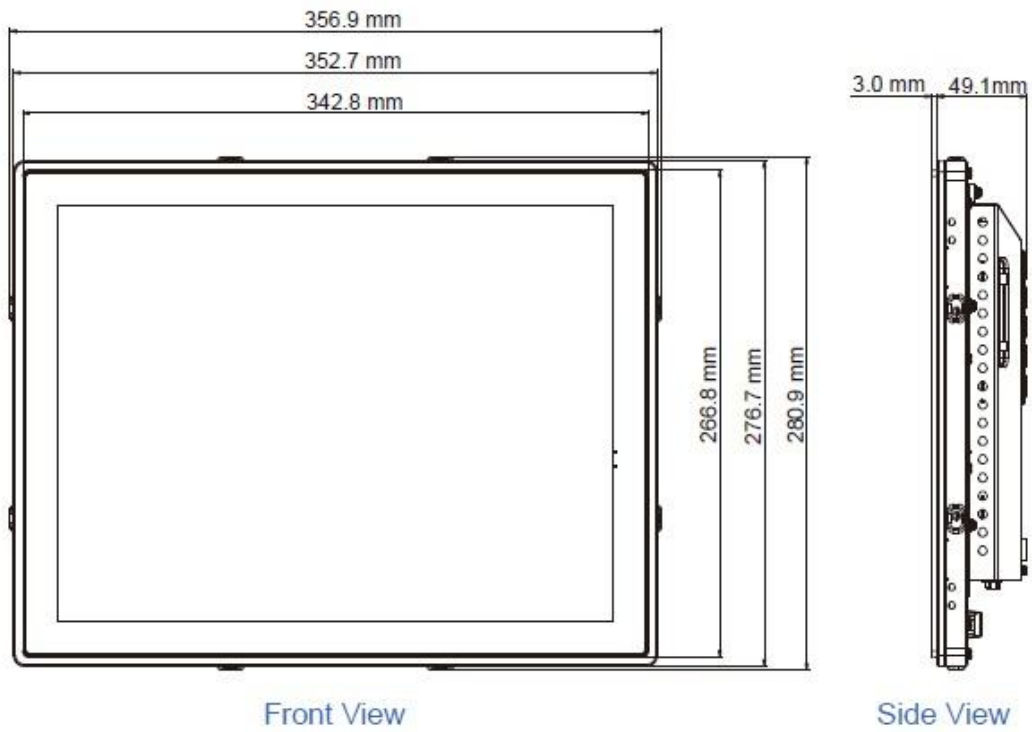
The LCD display is under the power saving mode. In addition, the LCD display will enter power saving mode when experiencing a sudden signal disconnecting problem.

The monitor can be activated by pressing any keyboard, triggering the mouse or touching the screen.

Out of Range

This message means that the signal of the computer graphic card is not compatible with the LCD display. When the signal is not included in the "Video Modes" list we have listed in the Appendices of this manual, the LCD monitor will display this message.

Product Dimension



Compatibility Modes

Mode	Resolution	H-Frequency(khz)	V-Frequency(hz)
IBM VGA	720X400	31.47	70
IBM VGA	640X480	31.47	60
Apple MacII	640X480	35.00	66
VESA VGA	640X480	37.86	72
VESA VGA	640X480	37.50	75
VESA SVGA	800X600	35.16	56
VESA SVGA	800X600	37.88	60
VESA SVGA	800X600	48.08	72
VESA SVGA	800X600	46.88	75
Apple Mac	832X624	49.72	75
VESA XGA	1024X768	48.36	60
VESA XGA	1024X768	56.48	70
VESA XGA	1024X768	60.02	75

Touch Screen Driver Installation

The monitor is available with USB connection. The Linux kernel 2.6.x (32 bit & 64 bit) touch driver is located on the enclosed CD-ROM. HID for Windows® 7, VISTA , XP, 2000, ME, 98.

Please Note:

The system requires 15 seconds for Windows® 7 to install/uninstall the touch drivers while turning power on/off or plugging/unplugging USB cable.

Driver Install Instructions:

If you are using a PC running driver Linux kernel 2.6.x (32 bit & 64 bit), follow the instructions below:

1. Power on the PC.
2. Be sure the USB cable is connected from the PC to the LCD display.
3. Open the CD-ROM.
4. Follow the step-by-step instructions as shown on the pop-up windows.

If you are using a PC running Windows® XP Embedded, follow the instructions below:

Express:

1. Power on the computer.
2. Make sure that the USB cable is connected to the computer.
3. Be sure that your EWF is disabled. If your EWF is enabled, please disable the EWF by using the EWF Manager command.
4. Once the EWF is disabled click on the XP driver on the CD-ROM and follow the step-by-step instructions as shown on the pop-up windows.

Custom:

1. Power on the computer.
2. Make sure that the USB cable is connected to the computer.
3. Follow the step-by-step instructions found in the folder file on the CD-ROM.

If you are using a PC running Windows® CE, follow the instructions below:

1. Power on the computer.
2. Make sure that the USB cable is connected to the computer.
3. Using Platform Builder, build an image file by following the step-by-step instructions found in the folder file on the CD-ROM.

If you are using a PC running Linux or Apple® Mac OS, follow the instructions below:

1. Power on the computer.
2. Make sure that the USB cable is connected to the computer.
3. Follow the step-by-step instructions found in the folder file on the CD-ROM.